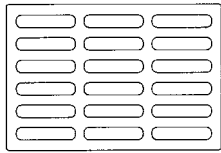
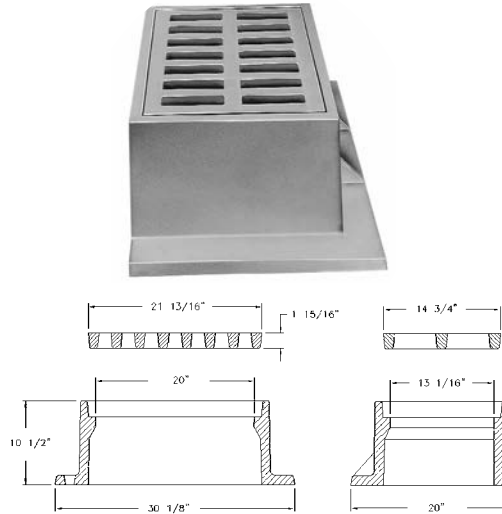


### 5150 CATCH BASIN INLET

Heavy duty  
 With 5800 Type M1 flat grate  
 Approximate 112 sq. in. open area



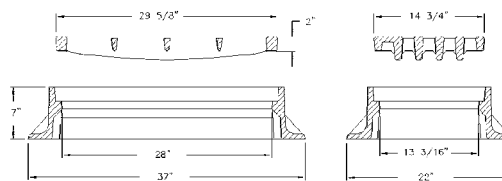
**Type M2 Flat Grate**  
 Approx. 130 sq. in.  
 open area



### 5190 — 5192 CATCH BASIN INLET

Heavy duty  
 Approximate 155 sq. in. open area

Options  
 5191 — Drop end flange  
 5192 — Drop front flange



Supplied By:



877-903-7246

www.trenchdrainsupply.com